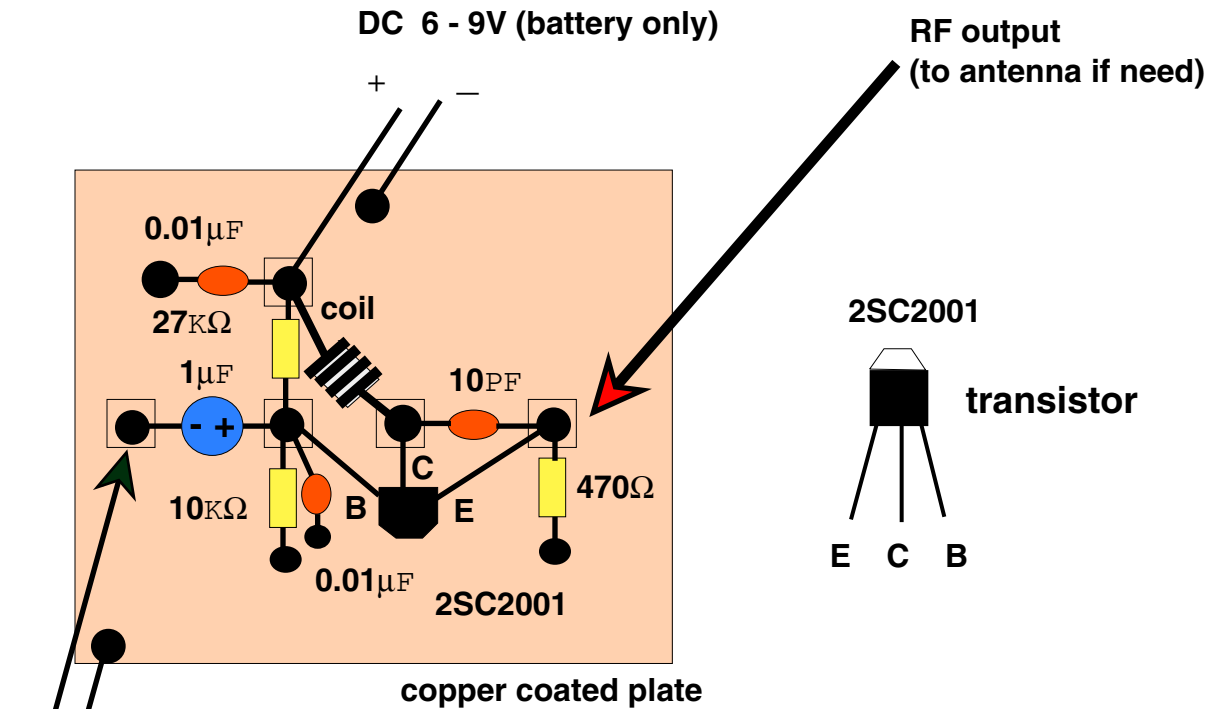


Making the simplest Transmitter



● soldered point:

● : direct to the ground



◻● : insulated from the ground



● coil

3 - 4 turns by coated 0.8 mm wire



● registers

470 Ω (*yellow-violet-brown*)

10K Ω (*brown-black-orange*)

27K Ω (*red-violet-orange*)

● capacitors

10 PF

0.01 μ F (*103*)

1 μ F